

Nominalized Clauses in the Grammar Matrix to be presented at HPSG 2018

Kristen Howell, Olga Zamaraeva, Emily M. Bender

University of Washington
Department of Linguistics

June 18, 2018

Data

Customization

Semantic
Representations

Evaluation

Nominalized Clauses in the Grammar Matrix

Nominalized
Clauses in the
Grammar Matrix
to be presented
at HPSG 2018

Kristen Howell,
Olga Zamaraeva,
Emily M. Bender

- ▶ New library for nominalized clauses
- ▶ Developed in support of Clausal Complements and Clausal Modifier libraries
- ▶ Three syntactic strategies (V, VP, S) and two semantic representations
- ▶ New feature : NMZ

Data

Customization

Semantic
Representations

Evaluation

Nominalization in Clausal Modifiers

amo-dhaace =lrao
IRR-DYN.NNFIN.leave =1S.NOM

'I am leaving' Rukai [dru] adapted from Zeitoun (2007, p. 204)

to'a-dhaac-ae =li
REAS.NMZ-DYN.NFIN.leave-REAS.NMZ =1S.GEN

ma-lrakas-iae
STAT.FIN-dislike-1S.OBL

'The reason why I'm leaving is because I dislike being here'
Rukai [dru] adapted from Zeitoun (2007, p. 204)

Nominalized
Clauses in the
Grammar Matrix
to be presented
at HPSG 2018

Kristen Howell,
Olga Zamaraeva,
Emily M. Bender

Data

Customization

Semantic
Representations

Evaluation

Nominalization in Complement Clauses

Nominalized
Clauses in the
Grammar Matrix
to be presented
at HPSG 2018

Kristen Howell,
Olga Zamaraeva,
Emily M. Bender

Ya nabluda-l napisa-ni-je Ivan-om dissertatsi-i
1SG.NOM observe-PST write-NZR-ACC Ivan-INSTR dissertation-GEN
'I observed Ivan's writing of the dissertation.'

Russian [rus]

Xotin bu odam-niŋ joŋa-ni oŋirla-š-i-ni istandi
woman this man-GEN chicken-OBJ steal-NZR-3.SG-OBJ wanted.3SG
'The woman wanted the man to steal the chicken.'

Uzbek [uzb] adapted from Noonan (2007, p. 70)

Data

Customization

Semantic
Representations

Evaluation

Customization Page

Nominalized Clauses [\[documentation\]](#)

If your language uses nominalization in the context of clausal complements and/or clausal modifiers, define the nominalization strategies here. They will then be available on the Clausal Complements, Clausal Modifiers, and Morphology pages.

▼ nmz (ns1)

X

Nominalization Strategy 1:

Nominalization Strategy Name:

The nominalization of the clause happens:

at V at VP at S

Is the nominalization syntactic only or should it also be reflected in the semantics?

(Note: for mid or low nominalization, currently you must say that it is reflected in the semantics).

Nominalization is syntactic only
 Nominalization should be reflected in the semantics

Add a Nominalization Strategy

The clausal modifier has the following features

Note: Features can be defined on the Other Features page. If this morphological feature cannot head a matrix clause, it should be defined as a FORM feature.

X Name: ? nominalization Value: nmz

Add a Feature

Nominalized
Clauses in the
Grammar Matrix
to be presented
at HPSG 2018

Kristen Howell,
Olga Zamaraeva,
Emily M. Bender

Data

Customization

Semantic
Representations

Evaluation

Low Nominalization (V)

<i>low-nominalization-lex-rule</i>	
SYNSEM LOCAL	CAT $\left[\begin{array}{l} \text{HEAD} \left[\begin{array}{l} \textit{noun} \\ \text{NMZ} \quad + \end{array} \right] \\ \text{VAL} \mid \text{SUBJ} \mid \text{INDEX} \quad \boxed{0} \end{array} \right]$
DTR SYNSEM LOCAL	$\left[\begin{array}{l} \text{CAT} \quad \left[\text{VAL} \mid \text{SUBJ} \langle \text{INDEX} \quad \boxed{0} \rangle \right] \\ \text{CONT} \quad \left[\text{HOOK} \mid \text{LTOP} \quad \boxed{1} \right] \end{array} \right]$
C-CONT	$\left[\text{RELS} \left\langle ! \begin{array}{l} \text{PRED} \quad \textit{nominalization_rel} \\ \text{LBL} \quad \boxed{2} \\ \text{ARG0} \quad \boxed{2} \\ \text{ARG1} \quad \boxed{1} \end{array} ! \right\rangle \right]$

Nominalized
Clauses in the
Grammar Matrix
to be presented
at HPSG 2018

Kristen Howell,
Olga Zamaraeva,
Emily M. Bender

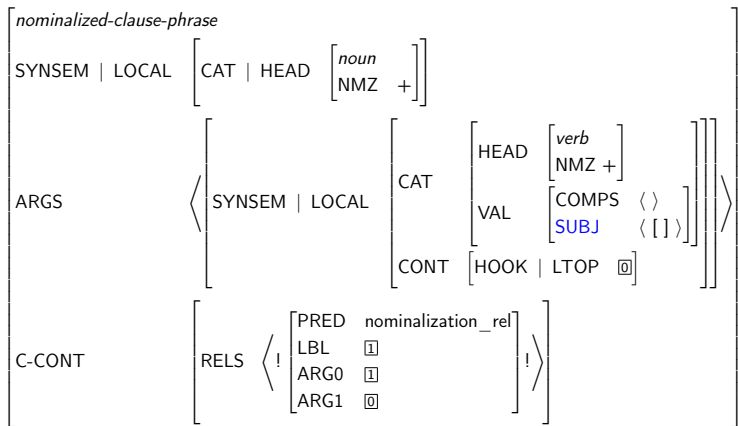
Data

Customization

Semantic
Representations

Evaluation

High or Mid Nominalization (S or VP)



Nominalized
Clauses in the
Grammar Matrix
to be presented
at HPSG 2018

Kristen Howell,
Olga Zamaraeva,
Emily M. Bender

Data

Customization

Semantic
Representations

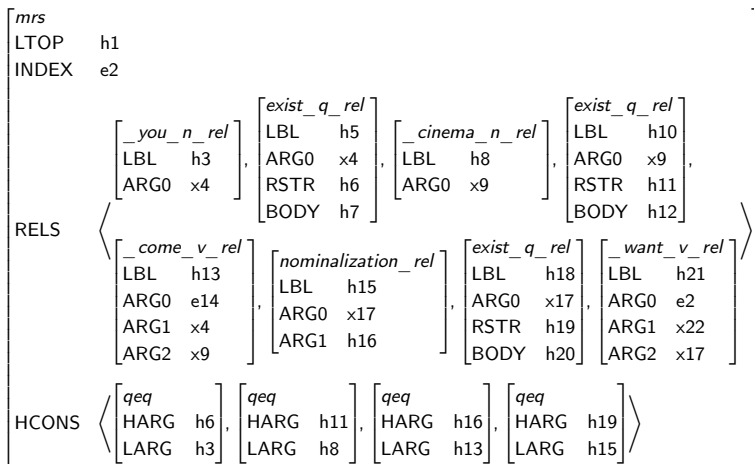
Evaluation

nominalization_rel

senin sinema-ya gel-me-n-i isti-yor-um
 2SG.GEN cinema-DAT come-NMZ-2SG-ACC want-PROG-1SG

'I want you to come to the movies.'

Turkish [tur] adapted from Kornfilt (1997, p. 97)



Nominalized
 Clauses in the
 Grammar Matrix
 to be presented
 at HPSG 2018

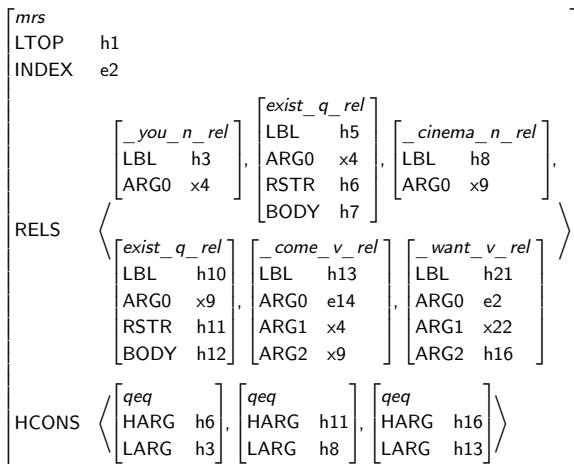
Kristen Howell,
 Olga Zamaraeva,
 Emily M. Bender

- Data
- Customization
- Semantic Representations
- Evaluation

No nominalization_rel

senin sinema-ya gel-me-n-i isti-yor-um
 2SG.GEN cinema-DAT come-NMZ-2SG-ACC want-PROG-1SG
 'I want you to come to the movies.'

Turkish [tur] adapted from Kornfilt (1997, p. 97)



Development Languages

- ▶ Pseudo languages : artificial languages with a minimum lexicon : one for each analysis in each clausal complements and clausal modifiers
- ▶ Rukai
- ▶ Russian
- ▶ Turkish

Test Languages

- ▶ Paresi-Haliti
- ▶ Yakima Sahaptin
- ▶ Basque
 - ▶ One error : lack of a head-opt-subj rule for nominalized clauses